

GROUNDING

GROUNDING MESH/STRAPS

Features

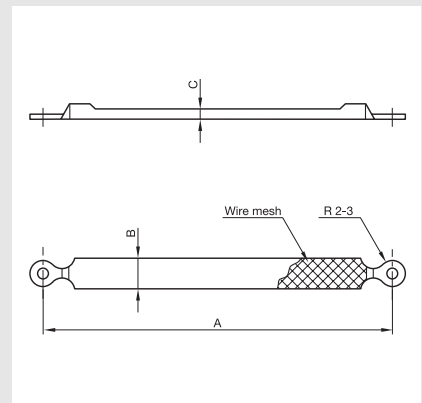
- Excellent impedance characteristics at high frequencies.
- Thin and flexible aids installation.

Specifications

- Wire mesh diameter $\varnothing 0.12$ mm
- Wire mesh material tin plated copper
- Insulation tube resin polyolefine material
- Connection terminals R2-3 (for M3)



Part No.	Unit: mm		
	A	B	C
FGM-50	50	8	2
FGM-100	100	8	2
FGM-150	150	8	2
FGM-200	200	8	2

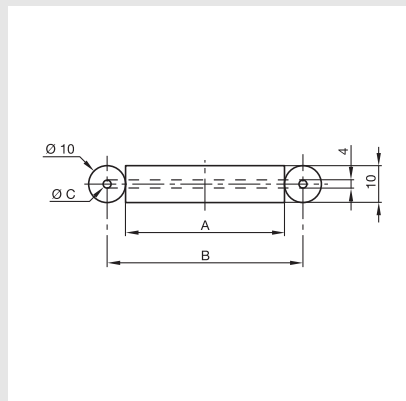


Features

- Low Impedance ground paths at RF frequencies.
- Lightweight and very flexible. The lightweight eases strain relief requirements, while the flexibility eases strap routing during assembly.

Specifications

- Metal part: copper sheet (100 μ M)
- Insulating part: PVC (noncombustible)
- Screw type: M3, M4 (Screw not included)



Part No.	Unit: mm		
	A	B	C
FGST-50-10-M3C	40	50	3.1
FGST-100-10-M3C	90	100	3.1
FGST-150-10-M3C	140	150	3.1
FGST-50-10-M4C	40	50	4.1
FGST-100-10-M4C	90	100	4.1
FGST-150-10-M4C	140	150	4.1

