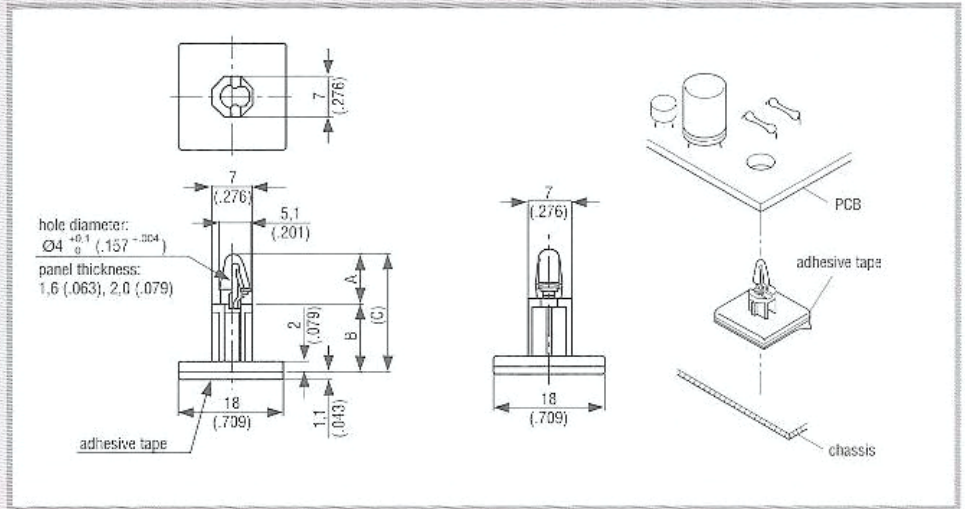


ADHESIVE BACKED LOCKING CARD SPACER (KGLS-M)

- For PCB of 1.6 mm (.063") thick as well as 2 mm (.079") thick
- Easy mounting with adhesive tape
- Made of UL recognized 6/6 nylon (UL 94 V-2)

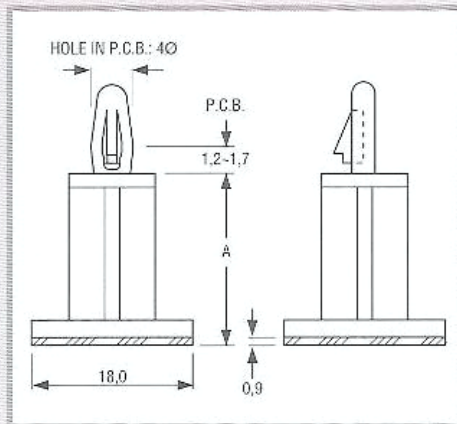


Part No.	A	B	(C)	Package
KGLS-4M	8.5 (.335)	5.6 (.220)	14.1 (.555)	100
KGLS-6M	8.5 (.335)	8.7 (.343)	17.2 (.677)	
KGLS-8M	8.5 (.335)	11.9 (.469)	20.4 (.803)	

Unit: mm (inches)

ADHESIVE BACKED LOCKING CARD SPACER (MS)

- Material: nylon 66 (UL)
 Flame class: 94 V-2
 Color: natural
 Adhesive tape: 3M



Part No.	A	Package
MS-6	6.35	500
MS-8	8.0	
MS-10	9.6	
MS-12	12.7	200
MS-19	19.4	
MS-22	22.2	

Unit: mm