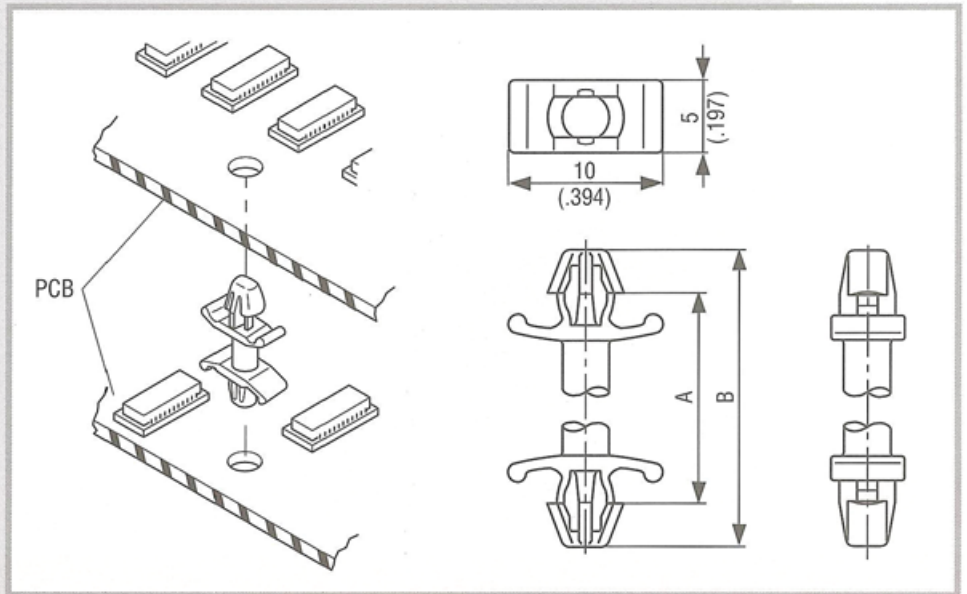


# DOUBLE LOCKING SPACER (WLS)

- Saves space by short top/bottom projection
- Provides easy mounting by symmetrical design
- Specially designed head holds PCB securely
- For 1.6 mm (0.063") thick PCB or chassis
- Made of UL recognized 6/6 nylon (UL 94 V-2)



Part No.	A	B	Hole diameter	Package
WLS-03-0	6.2 (.244)	10.8 (.425)	Ø3.5 <sup>+0</sup> (Ø.138 <sup>+0.008</sup> )	500
WLS-04-0	7.2 (.283)	11.8 (.465)		
WLS-06-0	9.2 (.362)	15.2 (.598)		
WLS-08-0	11.2 (.441)	17.2 (.677)	Ø4 <sup>+0.1</sup> (Ø.157 <sup>+0.004</sup> )	1000
WLS-10-0	13.2 (.520)	19.2 (.756)		
WLS-12-0	15.2 (.598)	21.2 (.835)		
WLS-13-0	16.2 (.638)	22.2 (.874)		
WLS-14-0	17.2 (.677)	23.2 (.913)		
WLS-16-0	19.2 (.756)	25.2 (.992)		
WLS-16.8-0	20.0 (.787)	26.0 (1.024)		
WLS-18-0	21.2 (.835)	27.2 (1.071)		
WLS-20-0	23.2 (.913)	29.2 (1.150)		

Unit: mm (inches)