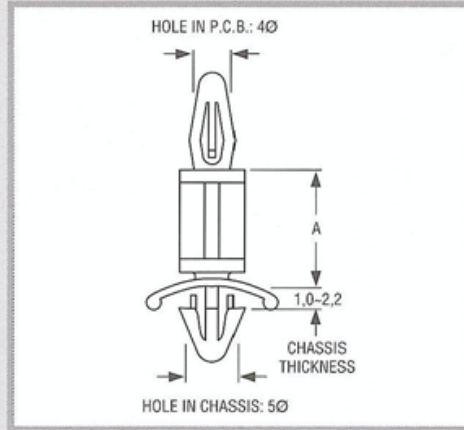


## PCB CARD SPACER (LCC)

Material: nylon 66 (UL)  
Flame class: 94 V-2  
Color: natural

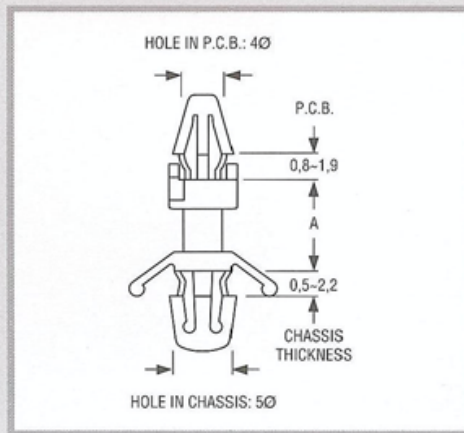


Part No.	A	Package
LCC-10	9.6	500
LCC-12	12.7	

Unit: mm

## PCB CARD SPACER (CBS)

Material: nylon 66 (UL)  
Flame class: 94 V-2  
Color: natural



Part No.	A	Package
CBS-5	4.8	500
CBS-10	9.2	
CBS-19	19.0	
CBS-35	35.0	

Unit: mm