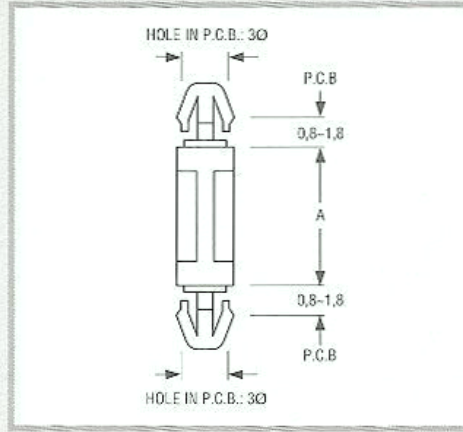


PCB CARD SPACER (MCF)

Material: nylon 66 (UL)
Flame class: 94 V-2
Color: natural

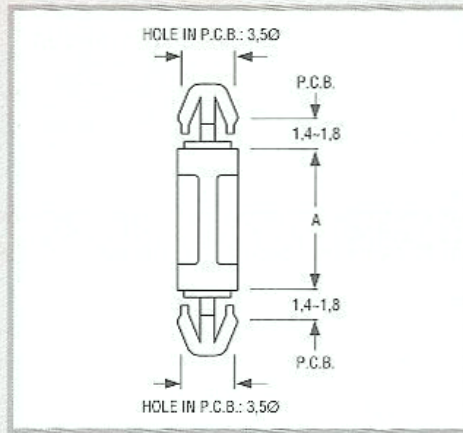


Part No.	A	Package
MCF-6	6.35	1000
MCF-8	8.0	
MCF-10	9.7	
MCF-12	12.7	

Unit: mm

PCB CARD SPACER (MCE)

Material: nylon 66 (UL)
Flame class: 94 V-2
Color: natural



Part No.	A	Package
MCE-6	6.35	1000
MCE-8	8.0	
MCE-10	9.7	
MCE-12	12.7	

Unit: mm